

en zh



Wiser by SE app



E8331DST300ZB_WE
E8331DST300ZB_WG

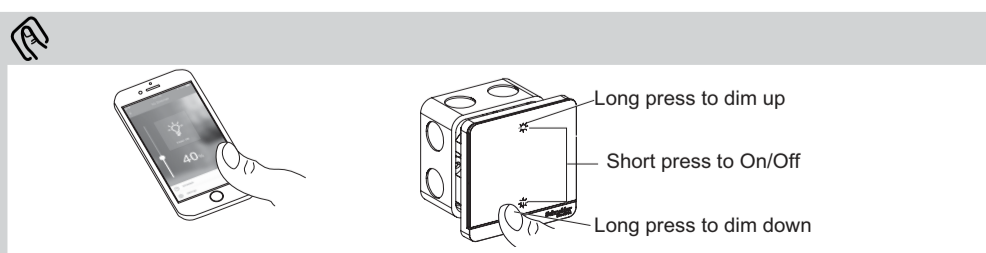
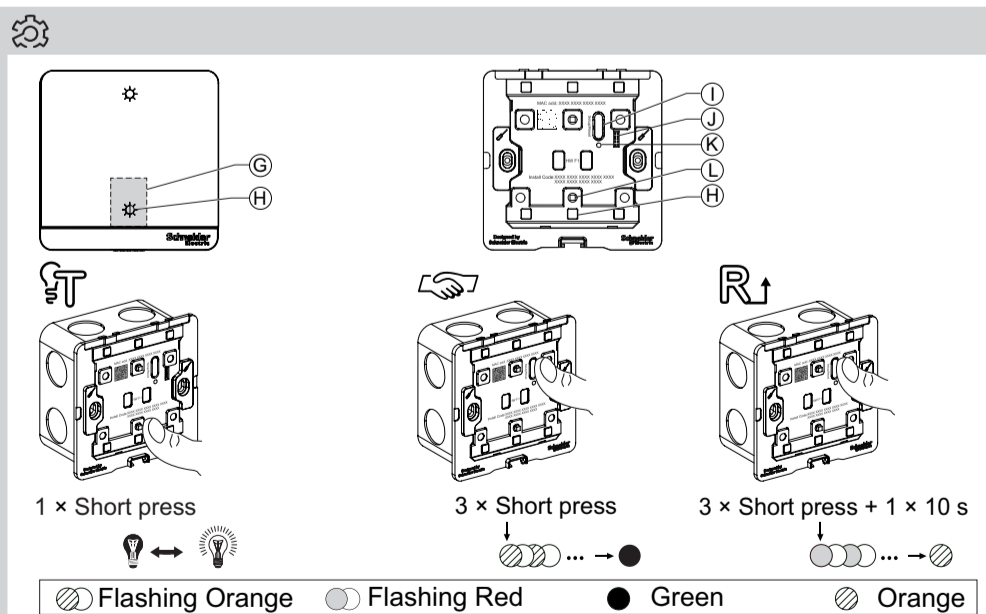
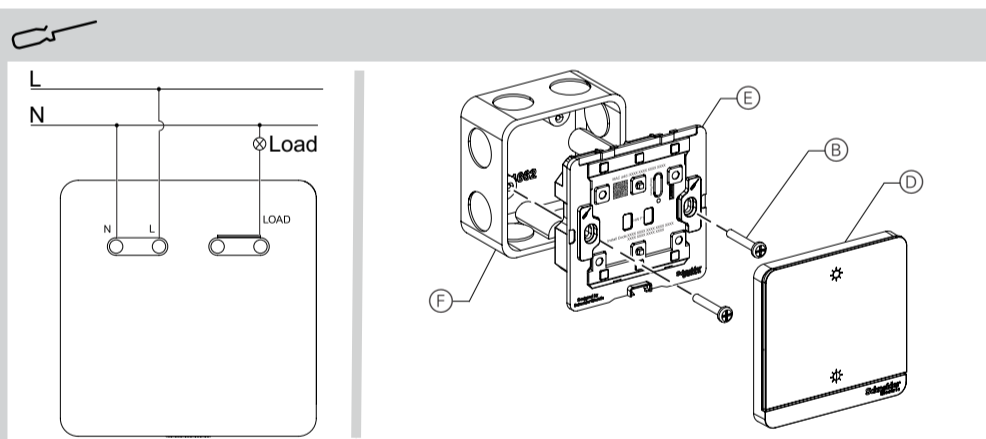
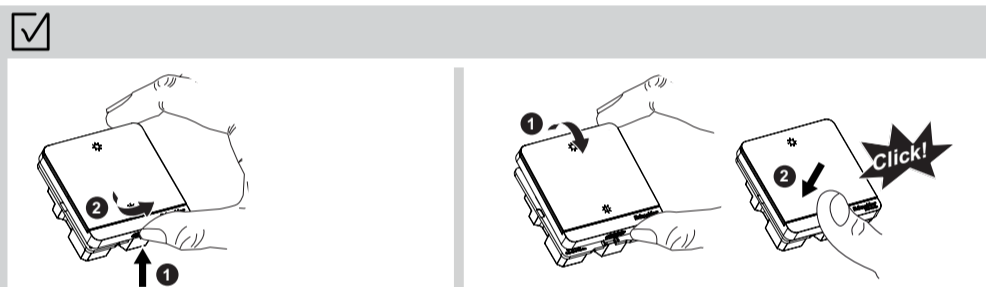
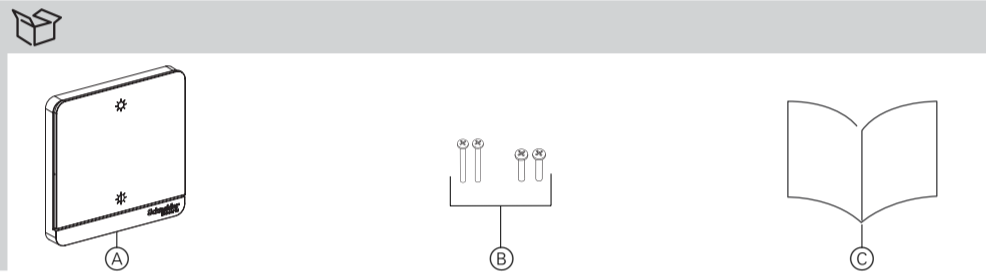
AvatarOn



Works with Wiser Hub CCT501900. Refer to system user guide for more information.
https://download.schneider-electric.com/files?p_Doc_Ref=MFR1569800

Lighting
 Installer or Admin can set up 'Leading edge mode' either in mobile app or by local button. For details, refer to the system user guide.

Leading edge mode disable		Operating Voltage: 220 VAC to 240 VAC, 50/60 Hz	
	Dimmable LED 100 W, Power Factor ≥0.6		Dimmable LED 200 W, Power Factor ≥0.6
	Dimmable CFL 100 W, Power Factor ≥0.6		Dimmable CFL 200 W, Power Factor ≥0.6
	Dimmable electronic transformer 100 W, Power Factor ≥0.6		Dimmable electronic transformer 200 W, Power Factor ≥0.6
	Incandescent lamp 150 W		Incandescent lamp 300 W
	Iron Core Magnetic transformer 75 W, Power Factor ≥0.9		Iron Core Magnetic transformer 150 W, Power Factor ≥0.9
Leading edge mode enable		Operating Voltage: 220 VAC to 240 VAC, 50/60 Hz	
	Dimmable LED 25 W, Power Factor ≥0.6		Dimmable LED 50 W, Power Factor ≥0.6
	Dimmable CFL 25 W, Power Factor ≥0.6		Dimmable CFL 50 W, Power Factor ≥0.6
	Dimmable electronic transformer 25 W, Power Factor ≥0.6		Dimmable electronic transformer 50 W, Power Factor ≥0.6
	Incandescent lamp 150 W		Incandescent lamp 300 W
	Iron Core Magnetic transformer 75 W, Power Factor ≥0.9		Iron Core Magnetic transformer 150 W, Power Factor ≥0.9



en **Wiser AvatarOn 1G Dimmer**
E8331DST300ZB_WE
E8331DST300ZB_WG

For your safety

▲ ▲ DANGER

RISK OF ELECTRIC SHOCK, EXPLOSION OR ARC FLASH

- This product must only be installed and serviced by appropriately qualified and/or licenced electrical personnel.
- This product must only be used for the purpose described in these instructions and must be installed in accordance with the wiring rules and regulations in that location.
- Observe the regulations while working on live parts.
- Isolate the electrical supply before doing any work on this product.
- Ensure that the product has been correctly installed and tested for safe operation before reconnecting the electrical supply.

Failure to follow these instructions will result in death or serious injury.

Prerequisites

Scan the QR code to download the Wiser by SE app onto your smartphone to configure and control the Wiser Zigbee devices.



App Store URL:
<https://itunes.apple.com/us/app/wiser-by-se/id1026806919?ls=1&mt=8>



Google Play Store URL:
<https://play.google.com/store/apps/details?id=com.schneiderelectric.WiserBySE>

Getting to know the product

The Wiser AvatarOn 1G Dimmer (the *device*) is used to adjust the intensity of lighting loads. This device can be used to dim resistive, inductive, and capacitive loads. The device can be controlled using the Wiser by SE app or Wiser AvatarOn Freelocate or by directly pressing the local control button.

i The device must not be used to control safety relevant applications.

For details, refer to the system user guide.

Package contents

- (A) Wiser AvatarOn 1G Dimmer
- (B) Screws:
Quantity 2: M3.5 × 32 mm
Quantity 2: M4.0 × 25 mm
- (C) Installation instructions

Connection elements

- (B) Screws
- (D) Cover plate
- (E) Module
- (F) Wall box

i The wall box is not included in the package.

Choosing the installation location

- Make sure there is a minimum depth (40 mm) on the wall to install the device.
- A standard 86 wall box must be used for installation.

Mounting the device

- Do not install the device behind large metal objects, such as refrigerators, cabinets, or cupboards, as it will affect the wireless communication range and performance of the device.
- Make sure that the cover plate is removed from the device before installation.

Removing the cover plate
To remove the cover plate, press the buckle at the bottom and remove.

Connecting the device
Do not short circuit the Load port to neutral.

▲ CAUTION

EQUIPMENT DAMAGE

- Always operate the device in compliance with the specified technical data.
- Never connect any mixed inductive/capacitive loads.

Failure to follow these instructions can result in injury or equipment damage.

Reinstalling the cover plate
To install the cover plate, insert the cover plate on the module and press until the buckle clicks.

Operating elements

- (G) Recommended user operation area
- (H) Backlight button indicator
- (I) Setup/Reset button
- (J) Programming port
- (K) Programming indicator
- (L) Local control button

For details, refer to the system user guide.

Setting the device

Testing the device

After installing the device, test the basic functions and then install the cover plate.

Short press the local control button for <1 s. The lighting loads of the corresponding channels turns on/off.

Commissioning the device

Short press (<1 s) the Setup/Reset button 3 times to connect to an available Zigbee network or to create a new Zigbee network.

Resetting the device

Short press (<1 s) the Setup/Reset button 3 times and then long press the Setup/Reset button once for >10 s to reset the device to factory default mode.

Upon successful device reset, all configuration data, user data, and network data is deleted.

E-mode commissioning

E-mode system consists of Wiser AvatarOn devices such as Switches, Curtain Switches, Dimmers, and Freelocates.

After successful E-mode commissioning, remotely control the corresponding channels on the Wiser AvatarOn devices such as Switches, Curtain Switches, Dimmers with Freelocates. In E-mode commissioning, the Switches, Curtain Switches, and Dimmers can create a Zigbee network.

For details, refer to the system user guide.

Operating the device

Control the corresponding channels on the Wiser AvatarOn Dimmers directly by pressing the local control button, or remotely through the Wiser by SE app or Wiser AvatarOn Freelocate.

Behaviour of the programming indicator

Refer to the system user guide.

Troubleshooting

Refer to the system user guide.

Technical data

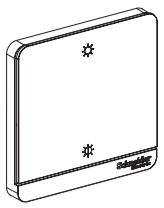
Power rating	i If the power factor of the load is less than the number specified, the power rating of the device needs to be derated.
StandBy Power	≈520 mW
Number of gangs	1
Connector type	Brass terminal
Terminal capacity	1 × 2.5 mm ² 2 × ≤1.5 mm ²
Max transmitted power	≤10 dBm
Frequency range	2400 MHz to 2483.5 MHz
IP rating	IP20
Operating temperature	-10 °C to 45 °C
Relative humidity	10% to 95%
Product dimensions (H × W × D)	86.0 × 86.0 × 38.5 mm
Wall box dimensions (H × W × D)	86.0 × 86.0 × 40.0 mm
Standards	EN 60669-2-5 IEC 60669-2-5
Certification	CE compliant Zigbee 3.0 compliant

Trademarks

- Zigbee® is a registered trademark of the Zigbee Alliance.
 - Apple® and App Store® are brand names or registered trademarks of Apple Inc.
 - Google Play™ Store and Android™ are brand names or registered trademarks of Google Inc.
- Other brands and registered trademarks are properties of their relevant owners.

Schneider Electric Asia Pacific Limited

11th Floor, Kerry Centre, 683 King's Road, Quarry Bay, Hong Kong
se.com/contact



zh en



Wiser by SE app



E8331DST300ZB_WE
E8331DST300ZB_WG

AvatarOn



该产品与wiser网关CCT501900 或CCT501400_C1 匹配工作请参考
https://download.schneider-electric.com/files?p_Doc_Ref=MFR1569800



1 安装人员或管理员可通过移动端应用程序或本机按钮进行“前沿模式”设置。参阅系统用户指南了解更多信息。

前沿模式关闭

工作电压: 100 VAC - 130 VAC, 50/60 Hz

LED 可调光 LED 100 W, 功率系数 ≥0.6

可调光 CFL 100 W, 功率系数 ≥0.6

可调光电子变压器 100 W, 功率系数 ≥0.6

白炽灯 150 W

铁芯磁性变压器 75 W, 功率系数 ≥0.9

前沿模式开启

工作电压: 100 VAC - 130 VAC, 50/60 Hz

LED 可调光 LED 25 W, 功率系数 ≥0.6

可调光 CFL 25 W, 功率系数 ≥0.6

可调光电子变压器 25 W, 功率系数 ≥0.6

白炽灯 150 W

铁芯磁性变压器 75 W, 功率系数 ≥0.9

工作电压: 220 VAC - 240 VAC, 50/60 Hz

LED 可调光 LED 200 W, 功率系数 ≥0.6

可调光 CFL 200 W, 功率系数 ≥0.6

可调光电子变压器 200 W, 功率系数 ≥0.6

白炽灯 300 W

铁芯磁性变压器 150 W, 功率系数 ≥0.9

工作电压: 220 VAC - 240 VAC, 50/60 Hz

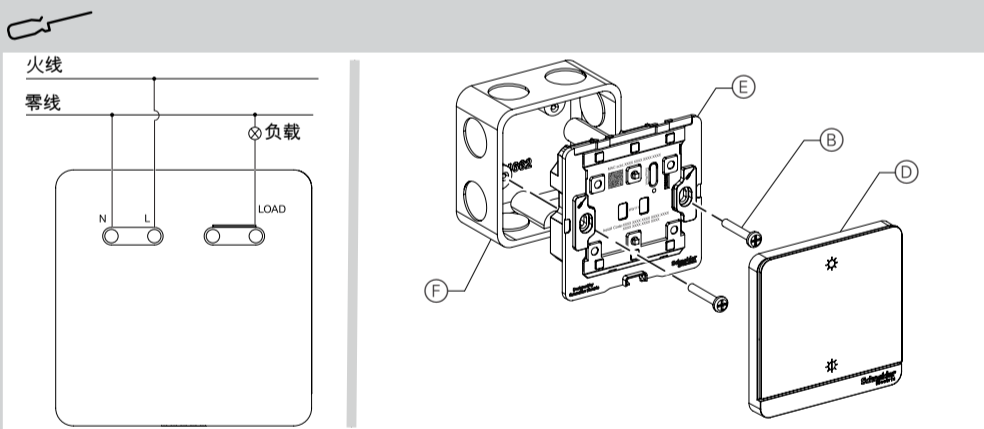
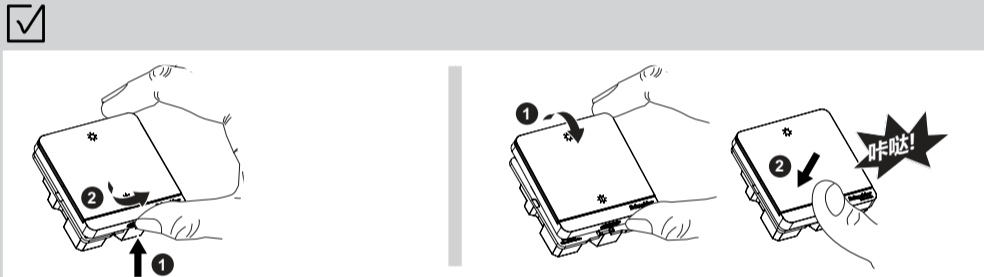
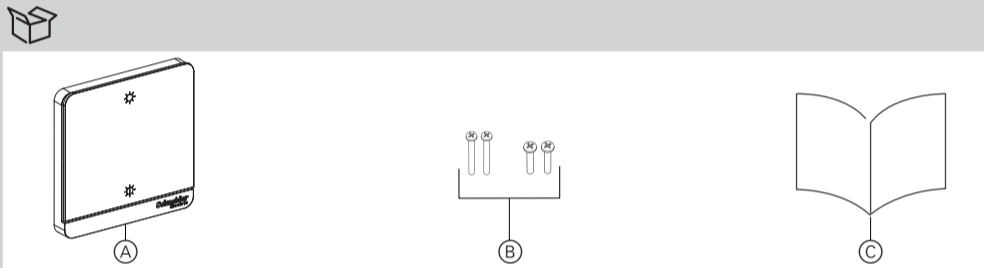
LED 可调光 LED 50 W, 功率系数 ≥0.6

可调光 CFL 50 W, 功率系数 ≥0.6

可调光电子变压器 50 W, 功率系数 ≥0.6

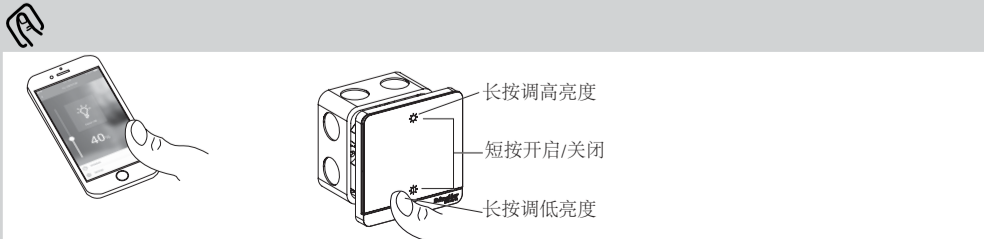
白炽灯 300 W

铁芯磁性变压器 150 W, 功率系数 ≥0.9



1 × 短按
3 × 短按
3 × 短按 + 1 × 10 s

闪烁橙色灯 闪烁红色灯 绿色灯 橙色灯



zh 智能单联调光开关
E8331DST300ZB_WE
E8331DST300ZB_WG

安全提示

▲ ▲ 危险

触电、爆炸或电弧闪光危险

- 本产品应仅由具有相应资质和/或获得相应证书的电气人员进行安装和维护。
- 本产品应仅用于本说明书中所述的用途，且必须根据接线规则和当地法规进行安装。
- 操作带电部件时请遵守相关规则。
- 对产品进行任何操作之前，务必切断电源
- 重新连接电源之前，本产品必须正确安装且经过测试，确保操作的安全性。

若不遵守此说明，则可能会导致死亡或重伤。

前提条件

扫描二维码下载 Wiser by SE app 到您的智能手机，以配置和安装 Wiser Zigbee 设备



App Store 的 URL:
<https://itunes.apple.com/us/app/wiser-by-se/id1026806919?ls=1&mt=8>



Android App 的 URL:
<https://www.schneider-electric.cn/zh/product-range-download/65750-时尚无线智能家居/#/software-firmware-tab>

产品简介

智能单联调光开关（本设备）用于调节照明强度。本设备可用于调节电阻性、电感性、和电容性负载。本设备可以通过 Wiser by SE app 或 智能场景开关进行控制

此设备不得用于控制安全相关的应用。

参阅系统用户指南了解更多信息。

包装内容

- (A) 智能单联调光开关
- (B) 螺钉：
2 颗：M3.5 × 32 mm
2 颗：M4.0 × 25 mm
- (C) 安装说明书

连接元件

- (B) 螺钉
- (D) 盖板
- (E) 模块
- (F) 墙盒

包装内不包含墙盒。

选择安装位置

- 确保墙上至少有 40 mm 的厚度以安装本设备。
- 必须使用标准的 86 mm 墙盒箱进行安装。

安装设备

- 请勿将此设备安装在冰箱，碗柜或橱柜等大型金属物体背后，因为这会影响设备的无线通信范围和性能。
- 盖板必须在安装前取下。

移除盖板

按压底部带扣即可将盖板移除。

连接设备

不要短路 Load 端口到零线。

▲ 注意

设备损坏

- 请务必按照规定的技术参数操作本设备。
- 切勿连接任何混合电感/电容负载。

若不遵守此说明，则可能会导致人员受伤或设备损坏。

重新安装盖板

要安装盖板，请将盖板插入到设备中，并往下按，直至扣位发出咔哒声。

操作元件

- (G) 推荐用户操作区域
- (H) 按键背光指示灯
- (I) 设置/恢复出厂设置按钮
- (J) 编程端口
- (K) 编程指示灯
- (L) 本地控制按钮

参阅系统用户指南了解更多信息。

设置设备

测试设备

完成设备安装后，进行基本功能测试，然后安装盖板。短按 (< 1 秒) 本机控制按钮，开启/关闭相应通道的照明负载。

调试设备

短按 (< 1 秒) Setup/Reset 按钮三次，该产品会接入经设备验证的 Zigbee 网络或者建立一个新的 Zigbee 网络。

重置设备

短按 (< 1 秒) Setup/Reset 按钮 3 次，然后长按 (> 10 秒) Setup/Reset 按钮 1 次，将本设备恢复出厂模式。

设备重置成功后，所有配置数据，用户数据和网络数据均被删除。

E-模式调试时

E-模式系统由 智能开关，智能窗帘开关，智能调光开关和智能场景开关组成。

E-模式调试完成后，即可对智能开关，智能窗帘开关，智能调光开关，智能场景开关上的相应通道实施远程控制。在 E-模式调试时，开关、窗帘开关、调光开关可形成一个 Zigbee 网络。

参阅系统用户指南了解更多信息。

操作设备

可以通过本地控制按钮控制 智能 调光开关上的相应通道，也可以通过 Wiser by SE app 或 智能场景开关进行远程控制。

编程指示灯的行为

请参阅系统用户指南。

故障排除

请参阅系统用户指南。

技术参数

额定功率	↔️💡W
	如果负载的功率因数小于指定的数值，则需要降低设备的额定功率。
待机功耗	≈ 520 mW
负载通道数	1
连接器类型	黄铜端子
电线规格	1 × 2.5 mm ² 2 × ≤1.5 mm ²
最大传输功率	≤10 dBm
频率范围	2400 MHz - 2483.5 MHz
IP 等级	IP20
工作温度	-10 °C - 45 °C
相对湿度	10% - 95%
产品尺寸 (H × W × D)	86.0 × 86.0 × 38.5 mm
墙盒尺寸 (H × W × D)	86.0 × 86.0 × 40.0 mm
标准	符合 EN 60669-2-5 符合 IEC 60669-2-5
认证	CE Zigbee 3.0

部件名称 Part Name	有害物质					
	铅 Pb	汞 Hg	镉 Cd	六价铬 Cr(VI)	多溴联苯 PBB	多溴二苯醚 PBDE
金属件 Metal parts	x	o	o	o	o	o
塑胶件 Plastic parts	o	o	o	o	o	o
电子件 Electronic	x	o	o	o	o	o
触点 Contacts	o	o	o	o	o	o
线缆和线缆附件 Cables and cabling accessories	o	o	o	o	o	o

本表格依据 SJ/T11364 的规定编制。
o: 表示该有害物质在该部件所有均质材料中的含量均在 GB/T 26572 规定的限量要求以下。

x: 表示该有害物质至少在该部件的某一均质材料中的含量超出 GB/T 26572 规定的限量要求。

This table is made according to SJ/T 11364.

o: indicates that the concentration of hazardous substance in all of the homogeneous materials for this part is below the limit as stipulated in GB/T 26572.

x: indicates that concentration of hazardous substance in at least one of the homogeneous materials used for this part is above the limit as stipulated in GB/T 26572.

商标

- Zigbee® 是 Zigbee Alliance 的注册商标。
- Apple® 和 App Store® 是 Apple Inc. 的品牌名称或注册商标
- Android™ 是 Google Inc. 的品牌名称或注册商标。

所有其他商标和注册商标均为其各自所有者的财产。

施耐德电气(中国)有限公司

北京市朝阳区望京东路六号A座

客户支持热线: 400 810 1315

se.com/contact