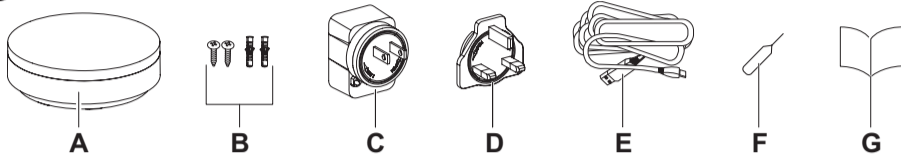


CCT501401

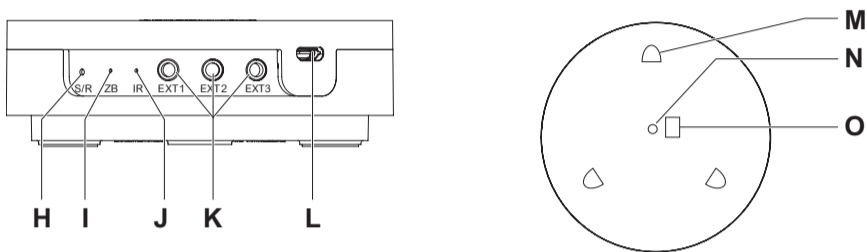
Wiser™



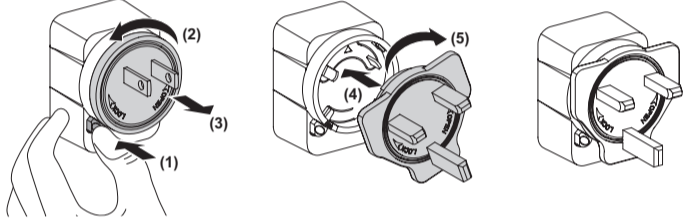
1



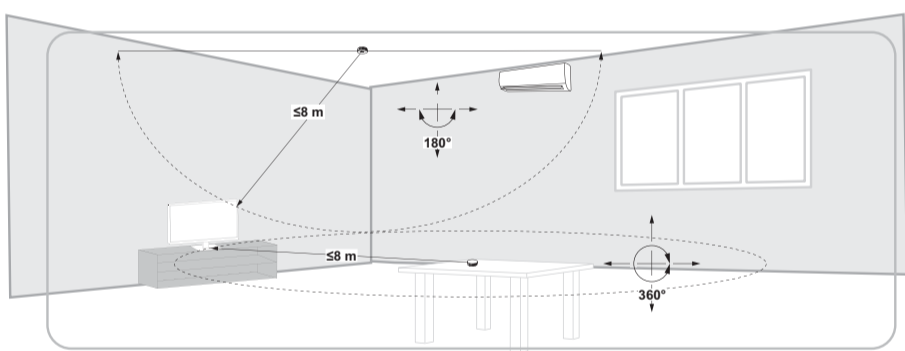
2



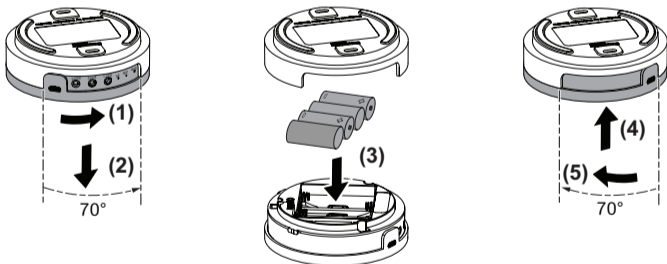
3



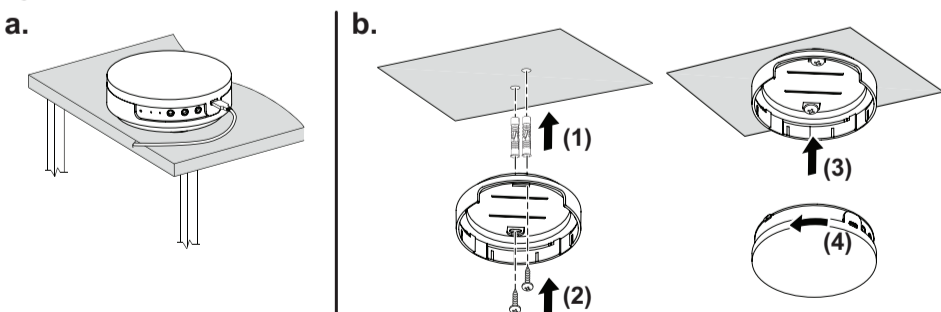
4



5



6



7



About this product

The Wiser 360Degree ZB/IR Converter (the *device*) is a control device to automate your home IR controlled devices such as televisions, air conditioners, music systems and so on. The device converts mesh network signal to infrared signal.

Functions

- 360° IR signal coverage
- 3 sockets for IR extension cables
- Supports up to 8 types of IR controlled devices

Important: Some IR controlled devices may not be supported in your country. Please check with your sales representative.

1 Package contents

- A Wiser 360 Degree ZB/IR Converter
- B Screws: 2 × ST4.2 × 25 mm with wall plug
- C AC adaptor
- D 3-pin plug
- E AC adaptor USB cable
- F Reset pin
- G Installation instructions

Note: AA Alkaline batteries are not included in the package. They must be procured separately.

2 Operating elements

- H Set/Reset button
- I Network status LED
- J IR LED
- K 3× 3.5 mm phone jacks for IR extension cables
- L Micro USB port for 5 VDC power supply
- M 3× IR emitters under plastic cover, edge emitting
- N IR emitter under plastic cover, top emitting
- O IR receiver under plastic cover, top receiving

3 Installing the 3-pin plug (Optional)

▲ CAUTION

EQUIPMENT DAMAGE HAZARD

Do not use the 2-pin plug to power the device in Mainland China.

Failure to follow these instructions can result in injury or equipment damage.

▲ ▲ DANGER

RISK OF ELECTRIC SHOCK, EXPLOSION, OR ARC FLASH

Make sure that the 2-pin/3-pin plug is inserted in the correct position and rotated clockwise until the plug firmly locks onto the AC adaptor with a 'click' sound.

Failure to follow these instructions will result in death or serious injury.

4 Choose suitable location to install

5 Inserting the batteries (Optional)

NOTICE

PERFORMANCE DEGRADATION OR EQUIPMENT DAMAGE

- The device should be powered only by the provided AC adaptor or 4× AA batteries.
 - Only alkaline batteries should be used. Do not use rechargeable batteries.
- Failure to follow these instructions can result in equipment damage.**

Note:

- While placing the device on a table, it is recommended to use either the supplied AC adaptor or batteries to power the device.
- While installing the device on a ceiling, use the batteries to power the device.

6 Installing the device

▲ ▲ DANGER

RISK OF ELECTRIC SHOCK, EXPLOSION, OR ARC FLASH

- This product must only be installed and serviced by appropriately qualified and/or licenced electrical personnel.
 - This product must only be used for the purpose described in these instructions and must be installed in accordance with the wiring rules and regulations in that location.
 - Observe the regulations while working on live parts.
 - Isolate the electrical supply before doing any work on this product.
 - Ensure that the product has been correctly installed and tested for safe operation before reconnecting the electrical supply.
- Failure to follow these instructions will result in death or serious injury.**

a. Table

b. Ceiling

Using the IR extension cable

The device supports IR extension cables (3 sockets). When the device is installed in a closed cabinet, use up to 3 IR extension cables to route the infrared signals to the IR-controlled devices.

Note:

- The IR extension cable should have a 3.5 mm plug.
- The IR extension cables are not included in the package. They must be procured by the user. Refer to "Technical data" for IR extension cable requirements.

Important: Using an IR extension cable can affect the infrared signals.

NOTICE

PERFORMANCE DEGRADATION OR EQUIPMENT DAMAGE

- Use 3.5 mm mono mini plug.
- Do not use other types of plug with a different size.

Failure to follow these instructions can result in equipment damage.

7 Read full device user guide online

Scan the QR code and choose your language for complete information about the device, including operation, configuration and using the product with a Wiser system.

Technical data

AC power adaptor	Model number: KA0601A-0501000DEU Input: 100-240 VAC, 50/60 Hz Output: 5.0 VDC, 1.0 A, 5.0 W Average active efficiency: 73.7% @115 VAC, 230 VAC No-load power consumption: 0.1 W @115 VAC, 230 VAC
Power supply	AC adaptor (included in the package) or 4× AA Alkaline batteries
Connector type	Micro USB port for the AC adaptor Applicable for 3× 3.5 mm mono mini plug
Battery	4× AA Alkaline batteries
Battery life	Up to 1 year (may vary based on the usage, frequency of firmware update and environment)
Communication interface	IR emitter energy IEC825 Zigbee: 2.4 GHz, IEEE802.15.4
Operating frequency	2405 - 2480 MHz (Zigbee)
Max. radio frequency power transmitted	<10 mW (Zigbee)
IR extension cable length	<5 m
IR control range with IR extension cable	1 m (from emitter to the IR controlled device)
IR control range without IR extension cable	≤8 m (from Wiser IR Converter to IR controlled device)
IP rating	IP20
Operating temperature	-10 °C to 45 °C, indoor use only
Relative humidity	10 % to 90 %, non-condensing
Dimensions	Ø100.0 × 32.5 mm
Certification	CE compliant

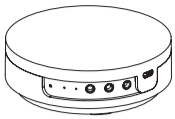
Trademarks

- Wiser™ is a trademark and the property of Schneider Electric SE, its subsidiaries and affiliated companies.
- Zigbee® is a registered trademark of the Connectivity Standards Alliance.

Other brands and registered trademarks are properties of their relevant owners.

Schneider Electric Asia Pacific Limited

11th Floor, Kerry Centre, 683 King's Road, Quarry Bay, Hong Kong
se.com/contact

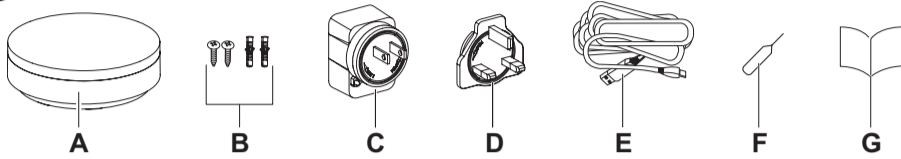


CCT501401

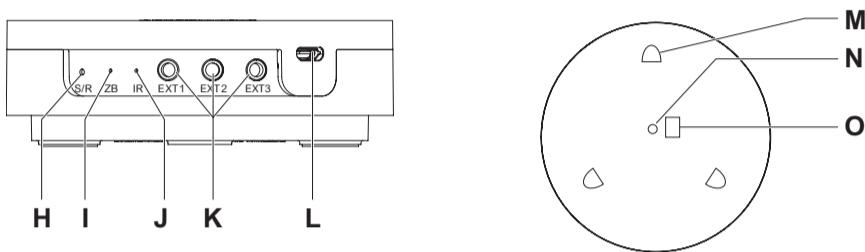
WiSeer™



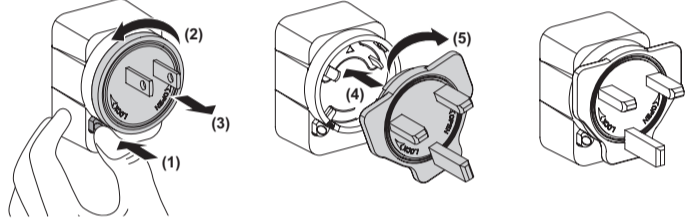
1



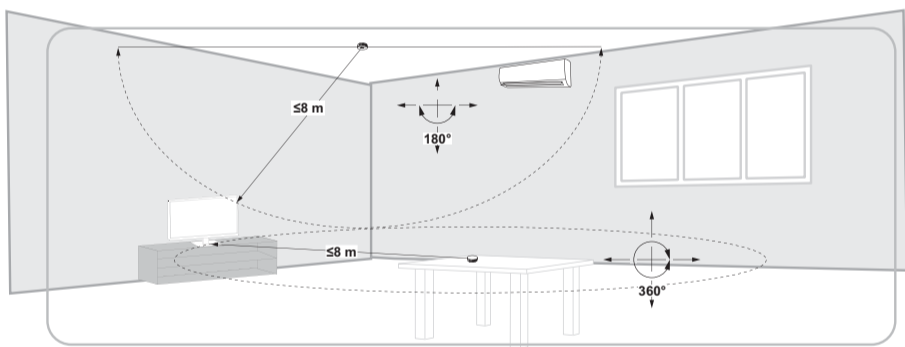
2



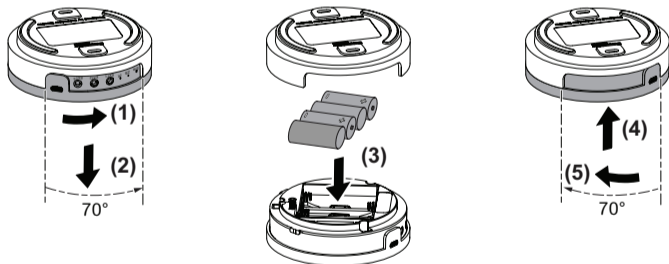
3



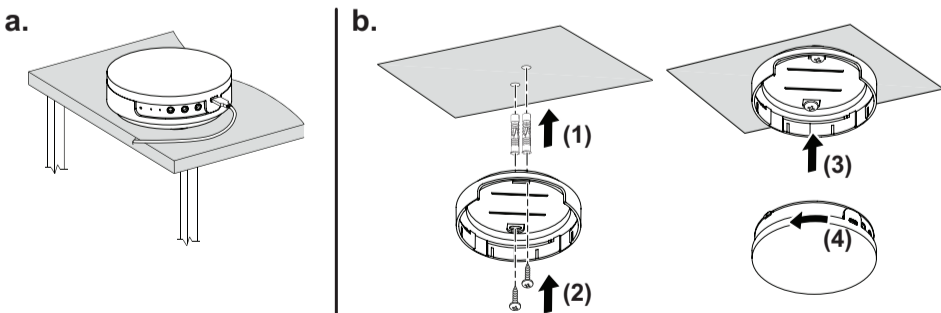
4



5



6



7



产品简介

360度红外转发器（本设备）是一种控制设备，用于控制家庭红外产品（如电视、空调、音乐系统等）。该设备将 Zigbee 无线信号转换为红外信号。

功能

- 360度红外信号覆盖
- 三路红外延长线接口
- 支持多达8种红外控制设备

注意：本设备可能不支持某些家庭红外设备。如遇到问题请联系售后渠道寻求帮助。

1 包装内容

- A 360度红外转发器
- B 螺钉：2 颗 ST4.2 × 25 mm（塑胶套管）
- C AC 适配器
- D 英式插头
- E AC 适配器 USB 线
- F 复位针
- G 安装说明书

注意：产品包装内不提供 AA 5号碱性电池。如需要使用请另行购买。

2 操作元件

- H Set/Reset 按键
- I 无线通信指示灯
- J 红外LED指示灯
- K 3 × 3.5 mm 红外延长线插孔
- L 用于 AC 适配器的微型 USB 端口
- M 3 × 侧向红外发射器
- N 顶部方向红外发射器
- O 顶部方向红外接收器

3 安装英式插头（可选）

▲ 小心

设备损坏危险
请勿在中国大陆使用英式插头为设备供电。
若不遵守此说明，则可能会导致设备损坏。

▲ ▲ 危险

触电、爆炸或电弧闪光危险

中式、英式插头必须插入到正确的位置，并沿顺时针方向旋转，直到插头与 AC 适配器锁紧，发出‘咔哒’声。
若不遵守此说明，则可能会导致死亡或重伤。

4 选择合适位置安装本设备

5 安装电池（可选）

注意

性能下降或设备损坏

- 该设备只能由所提供的电源适配器或4节五号电池供电。
 - 只能使用碱性电池。不得使用可充电电池。
- 若不遵守此说明，则可能会导致设备损坏。

注意：

- 若安放本设备在桌子上，建议使用随附的电源适配器或电池供电。
- 若安装本设备在天花板上，建议使用电池供电。

6 安装设备

▲ ▲ 危险

触电、爆炸或电弧闪光危险

- 本产品应仅由具有相应资质和/或获得相应证书的电气人员进行安装和维护。
 - 本产品应仅用于本说明书中所述的用途、且必须根据接线规则和当地法规进行安装。
 - 使用带电部件时请遵守相关规定。
 - 对产品进行任何操作之前，务必切断电源。
 - 重新连接电源之前，本产品必须正确安装且经过测试，确保操作的安全性。
- 若不遵守此说明，则可能会导致死亡或重伤。

a. 桌面摆放

b. 吸顶安装

使用红外延长线

该设备支持红外延长线（3路）。

若红外转发器安装在封闭的柜橱中，建议使用红外延长线将红外信号路由到需红外遥控的家庭设备附近。

注意：

- 所用红外延长线应该具有3.5mm的MONO MINI插头。
- 产品包装内不提供红外延长线。如需使用请另行购买。请参考“技术参数”中对红外延长线的要求。

注意：使用红外延长线可能会影响红外信号的传输性能。

注意

设备损坏

- 请使用3.5 mm的mono mini插头。
 - 不得使用其它不同尺寸的插头。
- 若不遵守此说明，则可能会导致设备损坏。

7 在线阅读设备使用手册

扫描二维码并选择适合的语言以获得本设备的更多信息，包括设备在WiSeer系统中运行、配置和使用相关的信息。

中国区用户请扫描右侧二维码以获取中文版产品使用手册。

技术参数

AC 适配器	型号：KA0601A-0501000DEU 输入：100-240 VAC, 50/60 Hz 输出：5.0 VDC, 1.0 A, 5.0 W 平均效率：73.7% @115 VAC, 230 VAC 待机功耗：0.1 W @115 VAC, 230 VAC
电源	AC 适配器（包含在包装内）或 4 × AA 碱性 电池 （不包含在包装内）
连接器类型	用于 AC 适配器的微型 USB 端口 适用于3 × 3.5 mm mono mini 插头
电池	4 × AA 五号 碱性电池
电池寿命	>1 年（电池寿命可能会因使用类型，固件升级频率和环境而有差异）
通信接口	符合 IEC825 红外发射器能量要求 Zigbee: 2.4 GHz, IEEE802.15.4
工作频率	2405 - 2480 MHz (Zigbee)
最大射频发射功率	<10 mW (Zigbee)
红外延长线长度	<5 m
有红外延长线时的红外控制范围	1m (从红外发射器到红外控制装置)
无红外延长线时的红外控制范围	≤8 m (从360度红外转发器到红外控制产品)
IP 等级	IP20
工作温度	-10 °C to 45 °C, 仅限室内环境使用
相对湿度	10 % to 90 %, 无冷凝的情况下
产品尺寸	Ø100.0 × 32.5 mm
认证	符合 CE 标准

部件名称 Part Name	有害物质				
	铅 Pb	汞 Hg	镉 Cd	六价铬 Cr(VI)	多溴联苯 PBB 多溴二苯醚 PBDE
金属件 Metal parts	○	○	○	○	○
塑胶件 Plastic parts	○	○	○	○	○
电子件 Electronic	X	○	○	○	○
触点 Contacts	○	○	○	○	○
线缆和线缆附件 Cables and cabling accessories	○	○	○	○	○

本表格依据 SJ/T11364 的规定编制。

○：表示该有害物质在该部件所有均质材料中的含量均在 GB/T 26572 规定的限量要求以下。
X：表示该有害物质至少在该部件的某一均质材料中的含量超出 GB/T 26572 规定的限量要求。

商标

- WiSeer™ 是施耐德电气及其子公司和附属公司的商标和财产。
 - Zigbee® 是 Connectivity Standards Alliance 的注册商标。
- 所有其他品牌和注册商标均为其各自所有者的财产。

施耐德电气(中国)有限公司

北京市朝阳区望京东路六号A座,
客户支持热线:400 810 1315

se.com/contact